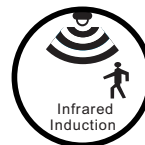




HONGYAO Lighting

Specification Sheet

- LED PIR MOTION SENSING FLUSH MOUNT LIGHT-



Zhejiang Hongyao Lighting Electrical Co., Ltd

No.209 Shennan Rd. Da Yang Jie Dao, Linhai City. Zhejiang China 317000 www.chongyao.com
Trading@chongyao.com Tel: +86 576-85381918 Fax:+86 576-85381913



SPECIFICATIONS

FEATURE

- Super Thin
- Type IC Rated
- Diffusers: High light transmittance polycarbonate
- It has infrared sensing function, and has two modes of day and night selection switch
 Selecting Day mode: the light will be on when the person enter the infrared sensor zone;
 Selecting night mode: when the surrounding is dark and person enter the infrared sensor zone, the light will be on
- The LED fixture is Triac dimming
- NO housing required
- Suitable for damp locations
- WARRANTY--5-year limited warranty



APPLICATION

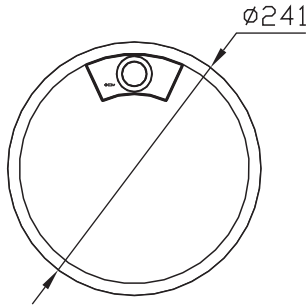
- corridor and administration office

SPECIFICATIONS

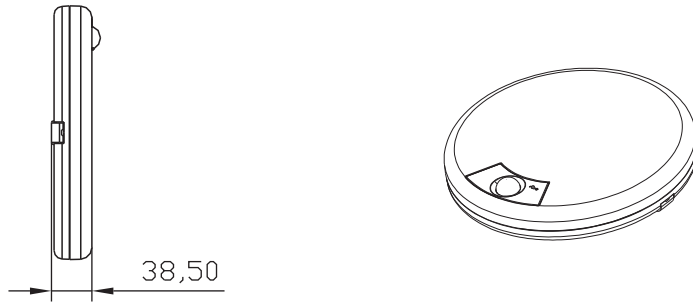
Model No.	HY -FM12-20W-MS-XXX
Power:	20W
Size:	12"
Input Voltage:	120 VAC
Lumens	2600LM
Dimming	Triac dimming
Protection Rating	IP20 (For Indoor Use Only)
Beam Angle	120°
Power Factor	>0.8
Induction	Infrared induction
Induction Time	45seconds (It goes out 45 seconds after the person leaves)
CCT:	2700K/3500K/4000K/5000K/6500K
CRI:	>80
Working Life:	Lumen Maintenance over 70% @ 50,000+ Hours
Oper. Temperature	-13°F ~+113°F / -25°C ~+45°C
Certification	ETL

PRODUCT DIMENSIONS

Front View

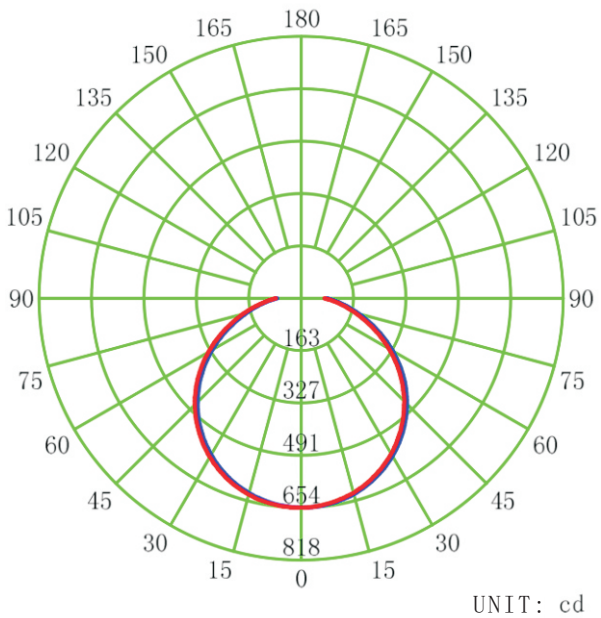


Side View



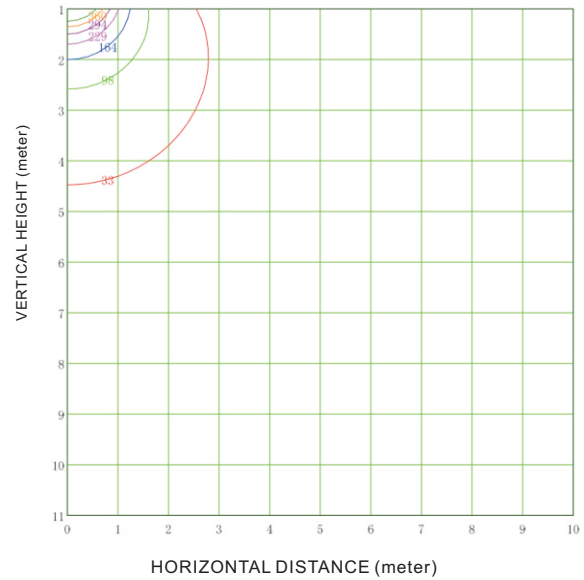
PHOTOMETRIC REPORT

LUMINOUS INTENSITY DISTRIBUTION DIAGRAM



— C0-C180 — C90-C270

VERTICAL EQUILUMINOUS CURVE



MINIMUM ALTITUDE 1.0 M
 MAXIMUM ALTITUDE 11.0 M
 MAXIMUM ILLUMINATION 654.4 lx

- (5%): 32.7 lx
- (15%): 98.2 lx
- (25%): 163.6 lx
- (35%): 229.1 lx
- (45%): 294.5 lx
- (55%): 359.9 lx
- (65%): 425.4 lx



ORDERING GUIDE

Package Information	
Model No.	HY -FM12-20W-MS-XXK
Size	12"
Qty/Pack	12 PCS
Package Size	505X325X265mm
	19.9"X12.8"X10.4"
Package Weight	6.6 kg/14.6 lbs
Package CBM	0.043493

ORDERING CODE DEFINITION

Company Code	Product/Size	Watt	Sensors	XXK
HY	FM12: LED induction ceiling light 12"	20W	MS: Infrared induction	27K: 2700K 30K: 3000K 40K: 4000K 50K: 5000K 65K: 6500K

WARNING



CAUTION:

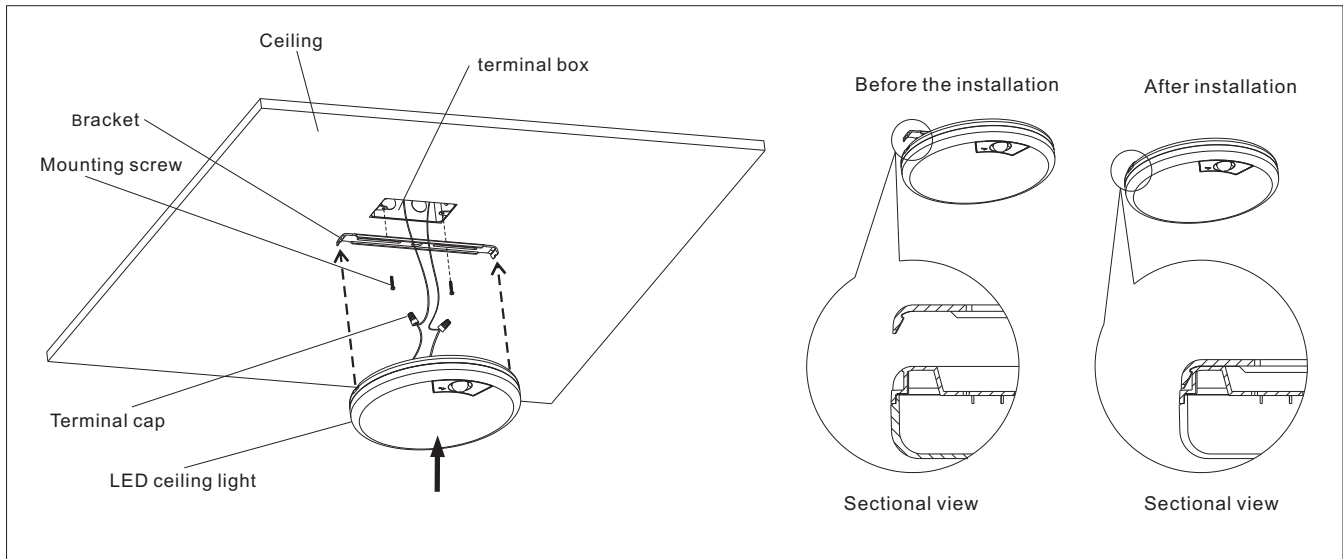
Turn off Power Supply

1. RISK OF FIRE OR ELECTRIC SHOCK: The electrical rating of this product 120V AC.
2. Danger-Risk Of Shock-Disconnect Power Before Installation
3. WARNING- To prevent wiring damage or abrasion, do not expose wiring to edges of sheet metal or other sharp objects.
4. Suitable For Damp Locations
5. This product must be installed in accordance with any applicable installation code(s) by a qualified electrician or person familiar with the construction and operation of the product and the hazards involved
6. This Device Is Not Intended For Use With Emergency Exit

INSTALLATION INSTRUCTION

Steps :

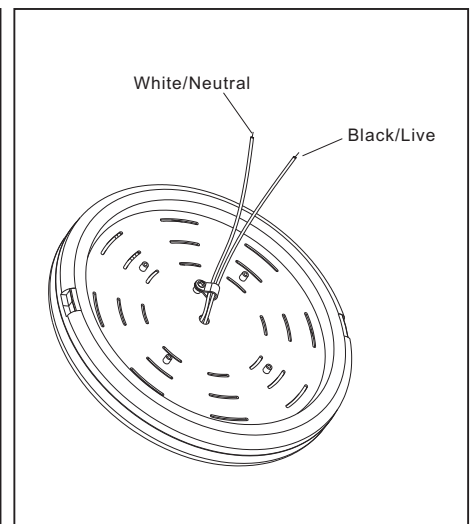
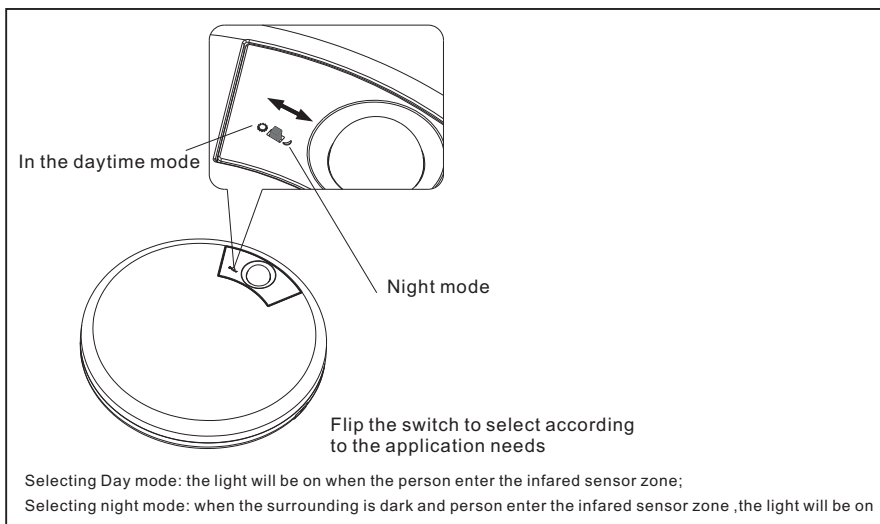
1. Fix the lamp mounting bracket on the junction box with screws
2. Connect cables using wiring caps
3. Hang the lamp on the mounting bracket
(The lamp side slot should be aligned with the lamp mounting bracket and installed in place)



OPERATING GUIDE

1.Scenario mode selection switch

2 Wiring Guide


Accessories bag includes:


Zhejiang Hongyao Lighting Electrical Co., Ltd

No.209 Shennan Rd. Da Yang Jie Dao, Linhai City. Zhejiang China 317000 www.chongyao.com
 Trading@chongyao.com Tel: +86 576-85381918 Fax:+86 576-85381913